

PRODUCT NUMBER
95615-XXXXLF

- PLATING
- 0 = 0.20µm GOLD/GXT ON CONTACT AREA
3.81 TIN LEAD ON TAIL
 - 1 = 0.76µm GOLD/GXT ON CONTACT AREA
3.81 TIN LEAD ON TAIL
 - 3 = 0.38µm GOLD/GXT ON CONTACT AREA
3.81 TIN LEAD ON TAIL
 - 5 = 0.38µm GXT FULL PLATED
 - 6 = 0.76µm GXT FULL PLATED
 - 7 = 0.76µm GOLD/GXT FULL PLATED
 - 9 = 0.20µm GOLD/GXT FULL PLATED

UNDERPLATING 1.27µm Ni MIN

WHEN "LF" IS REQUIRED, 2µm MATTE TIN OVER 1.27µm Ni MIN IS PROVIDED INSTEAD OF TIN LEAD, ONLY FOR PLATING 1, 3, 5

NOTES:

1. MATERIAL HOUSING: HIGH TEMP. THERMOPLASTIC
UL 94V-0, COLOR CREAM
2. MATERIAL TERMINAL: COPPER ALLOY
3. TO DETERMINE DIMENSIONS:
N = NUMBER OF POSITIONS PER ROW
4. 7N MIN. PIN RETENTION IN EITHER DIRECTION.
5. PACKAGING: = POLYBAGS

- T = TUBE
AVAILABILITY : FROM 2x5 UP TO 2x 17
- B = TUBE WITH PICK UP CAP INSTALLED
AVAILABILITY : FROM 2x5 UP TO 2x 17
- TR = TAPE AND REEL WITH PICK UP CAP INSTALLED
IN THE CENTER OF THE PRODUCT FOR PICK & PLACE
SEE TA 845 FOR PRODUCT AVAILABILITY.
- K = TAPE AND REEL WITHOUT PICK UP CAP
SEE TA 855 FOR PRODUCT AVAILABILITY.

6. 95615-5XXXXLF IS SIMILAR TO 95615-5XXX
95615-6XXXXLF IS SIMILAR TO 95615-6XXX
THE SUFFIX "LF" IS ADDED FOR EASY LEAD FREE IDENTIFICATION

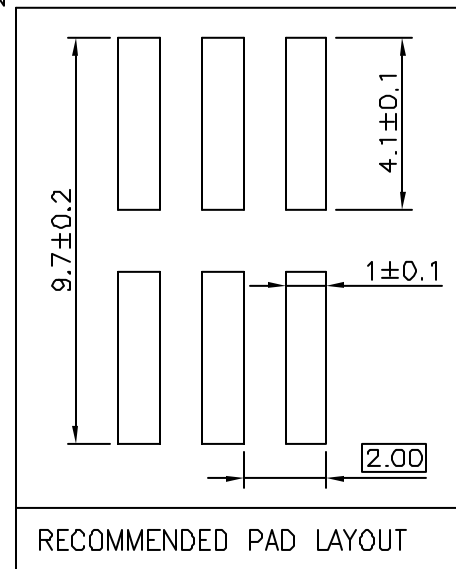
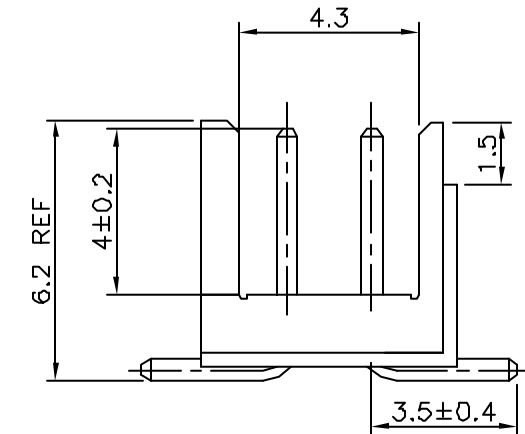
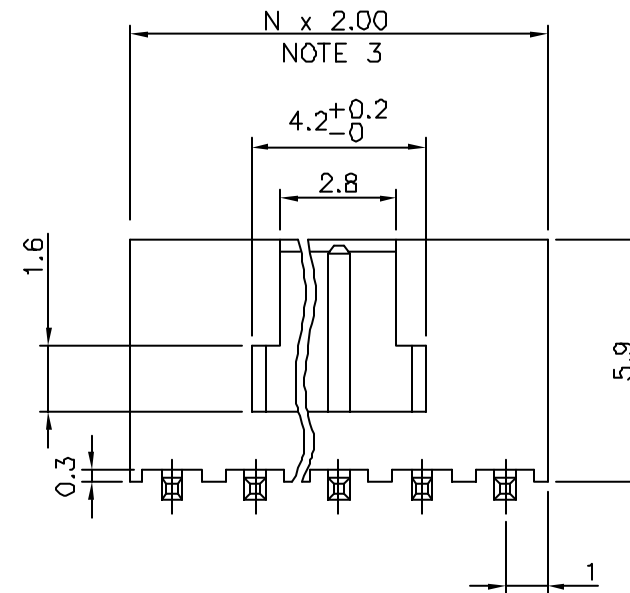
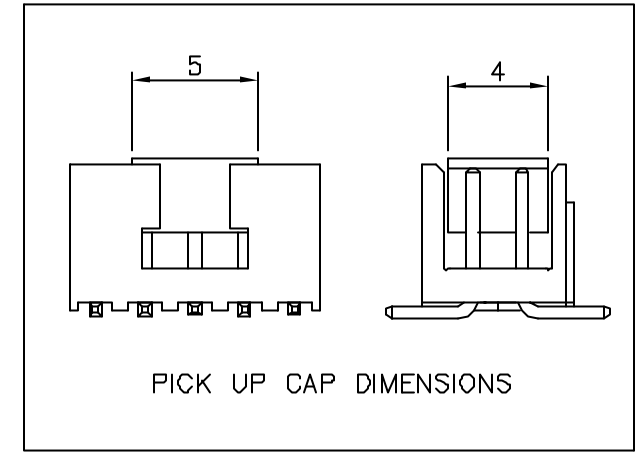
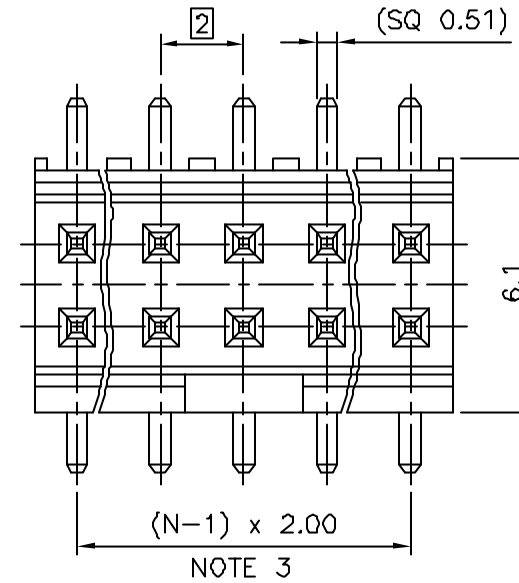
7. RoHS COMPATIBLE PRODUCT SPECIFICATIONS

- a - PLATING:
 - "LF" MEANS THE PRODUCT IS LEAD-FREE,
2µm MINIMUM MATTE TIN OVER 1.27µm
MINIMUM NICKEL UNDERPLATE.
- b - MANUFACTURING PROCESS COMPATIBILITY
 - THE HOUSING WILL WITHSTAND EXPOSURE TO
260°C PEAK TEMPERATURE FOR 30 SECONDES
MAX IN A CONVECTION, INFRA-RED OR VAPOR
PHASE OR REFLOW OVEN.
- c - LABELLING:
 - MEETS PACKAGING SPECS AS PER GS-14-920
- d - THIS PRODUCT MEETS EUROPEAN DIRECTIVES
AND OTHER COUNTRY REGULATIONS AS DISCRIBED
IN GS-22-008.

WHEN REQUIRED, ADD SUFFIX LETTER "LF"
INDICATES THE PRODUCT IS RoHS
COMPATIBLE, SEE NOTE 6 & 7

PACKAGING, SEE NOTE 5

TOTAL NB OF POSITIONS, 08 TO 34



mat'l. code		surface	tolerance	projection	product family	
SEE NOTES		ISO 1302	ISO 406 ISO	101	MINITEK HEADER	
ltr	ecn no dr date	tolerances unless otherwise specified		mm	title	
K	F05-0128 LMU 05.02.21	angles	.X ±0.3			SHR HEADER 2.00mm SMT
L	F06-0210 LMU 06.07.05	Linear	.XX ±0.13	scale 7:1		
M	F07-0191 J.CO 07.09.05	±2'	.XXX ±0.05		FCI	
N	F08-0145 ELA 15.04.08	dr	JL.CORDIER 97.07.26	dwg no		sheet 1 of 1
		engr	J.COMPAGNON 97.07.26	95615		A3
		chr	JL.CORDIER 97.07.26	type CUSTOMER Drawing		
		appd	COMPAGNON 97.07.26			
sheet index	revision sheet					



Copyright FCI